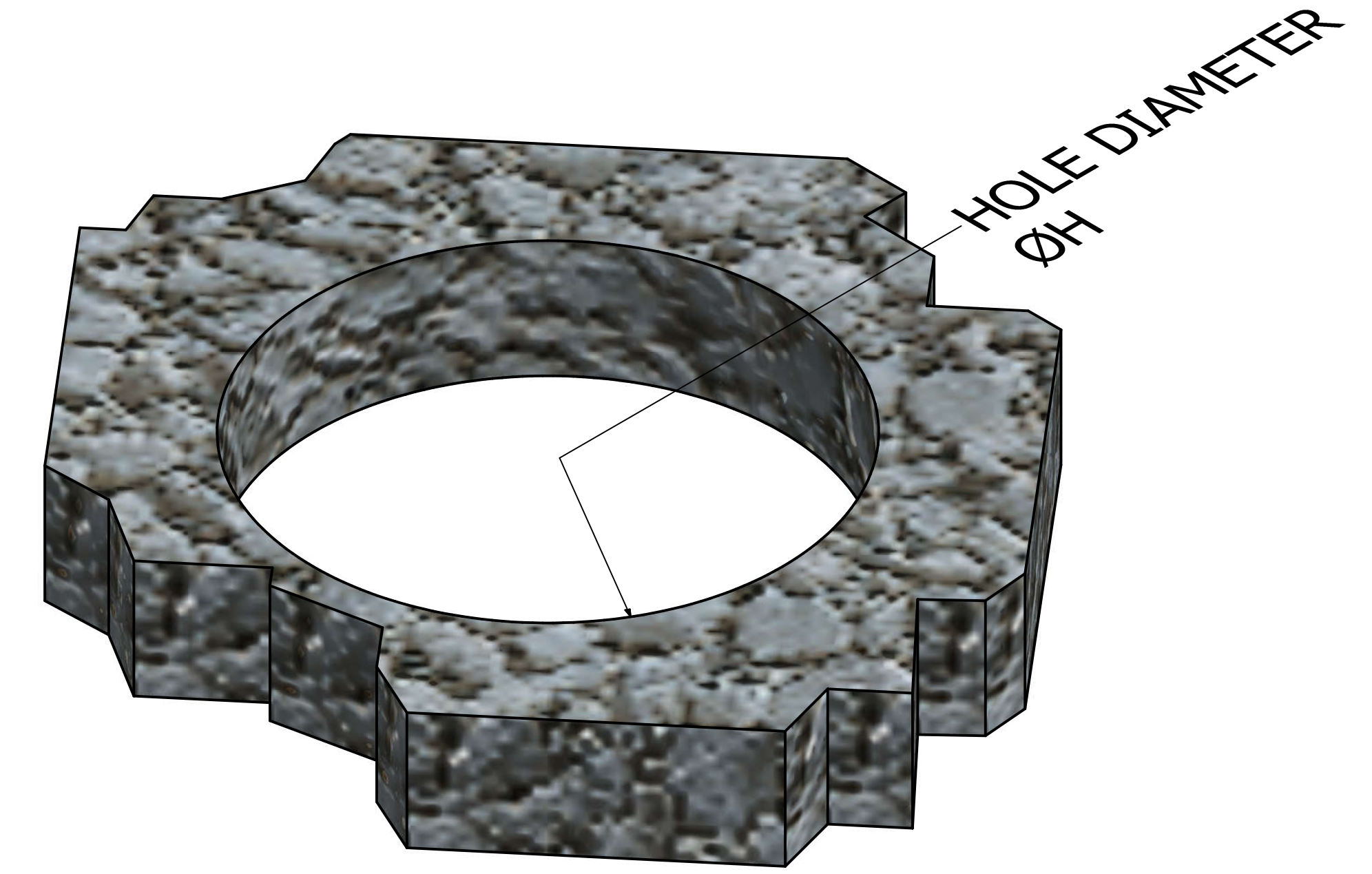
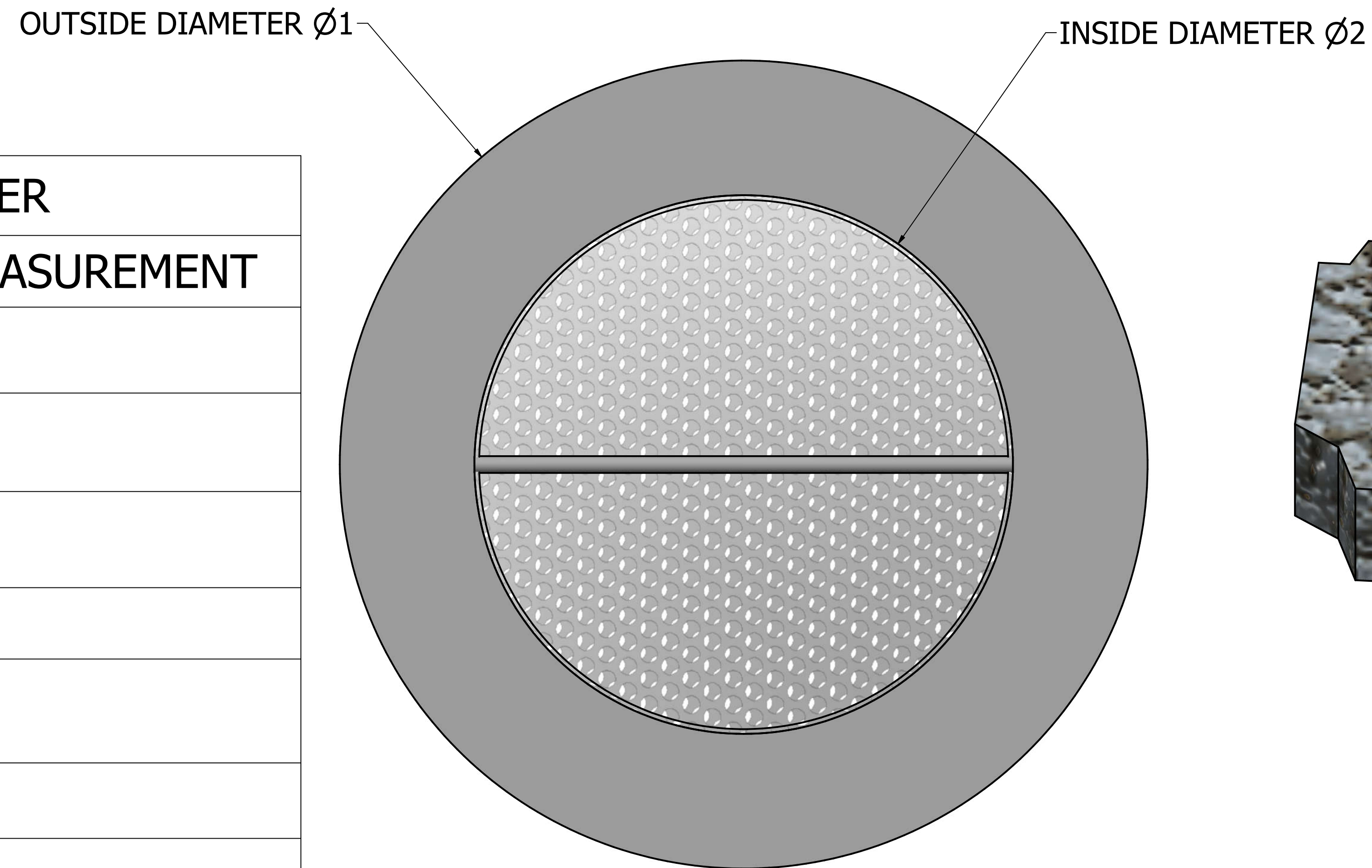
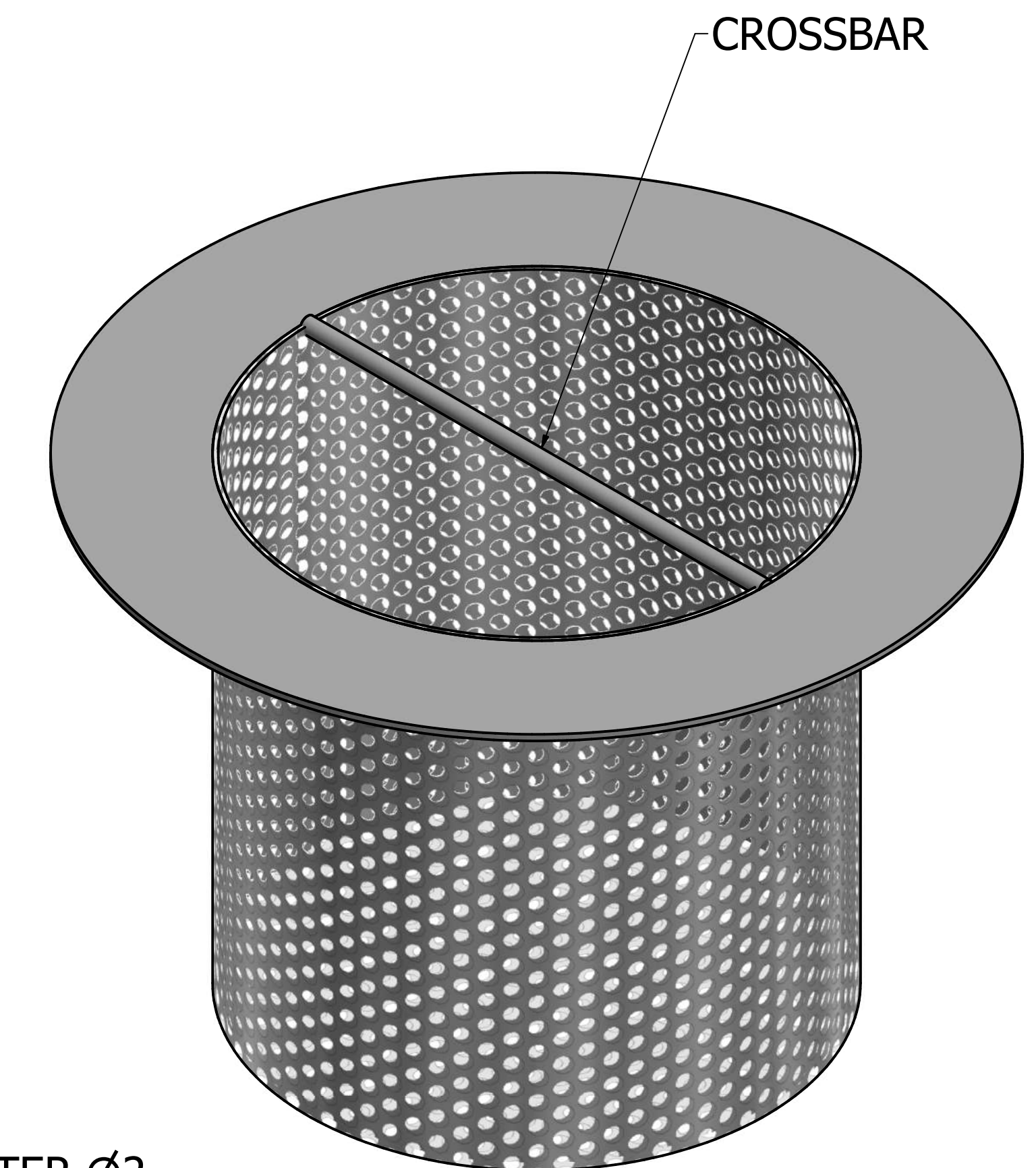
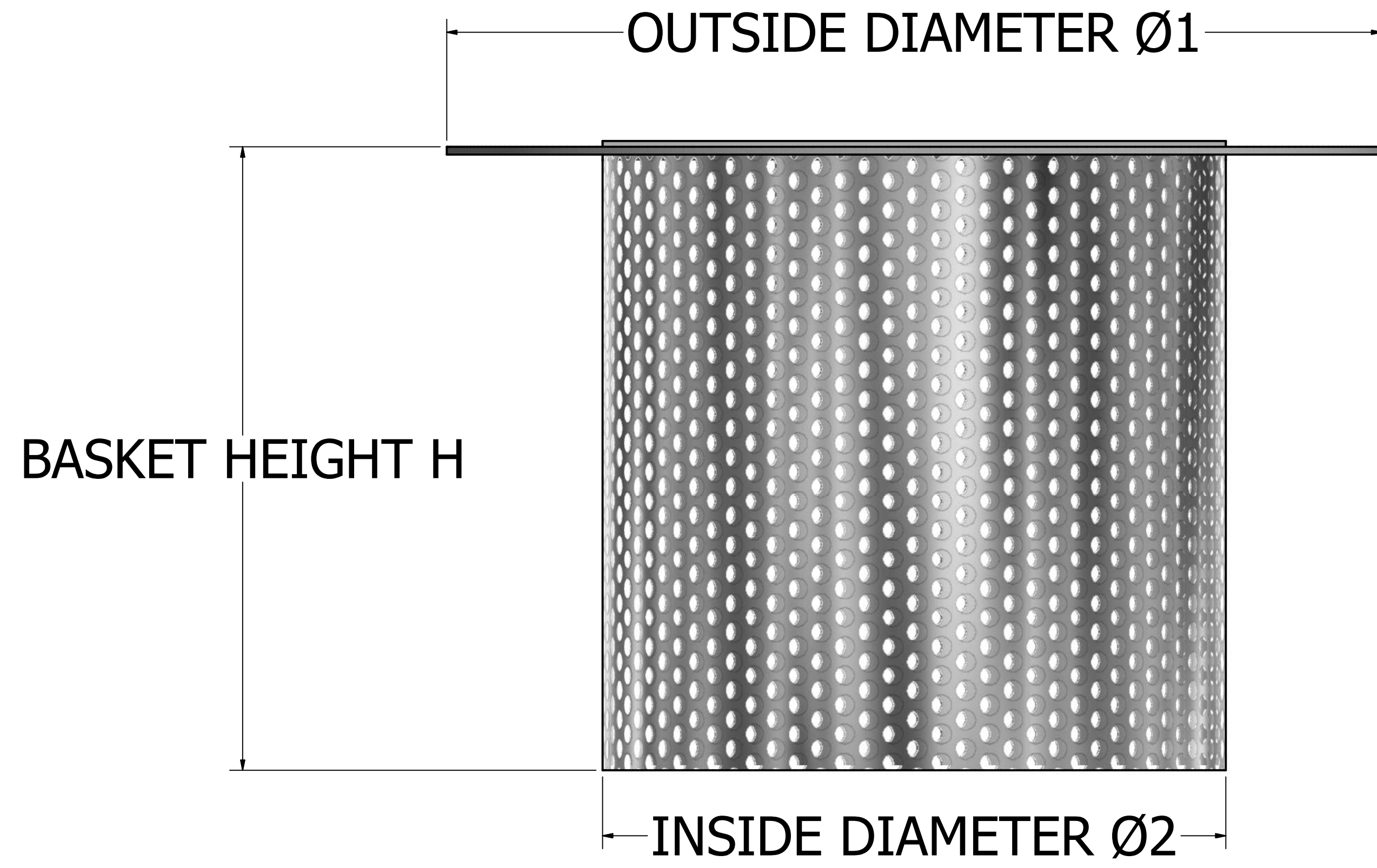


PLEASE INSERT DIMENSIONS ON BELOW TABLE. DIMENSION ARE TO BE INCHES. PLEASE USE FRACTIONAL DIMENSIONS ACCURATE TO 1/16" (STANDARD VALUE FOR MEASUREMENT TAPES). PLEASE INDICATE TOLERANCES.



BASKET TYPE STRAINER	
DIMENSION	MEASUREMENT
OUTSIDE DIAMETER Ø1	
INSIDE DIAMETER Ø2	
BASKET HEIGHT H	
INSERTION HOLE ØH	
CROSSBAR REQUIRED (Y/N)	
PERFORATION SIZE	
TOLERANCES (+/-)	

DRAWN A SUBERO	2/5/2019	FLUID FILTRATION MFG CORP	
CHECKED		TITLE BASKET STRAINER	
QA		TEMPLATE FOR DIMENSIONS	
MFG		SIZE D	DWG NO BSKT.DIM.DN
APPROVED		SCALE 1.5 : 1	REV 1
		SHEET 1	OF 1